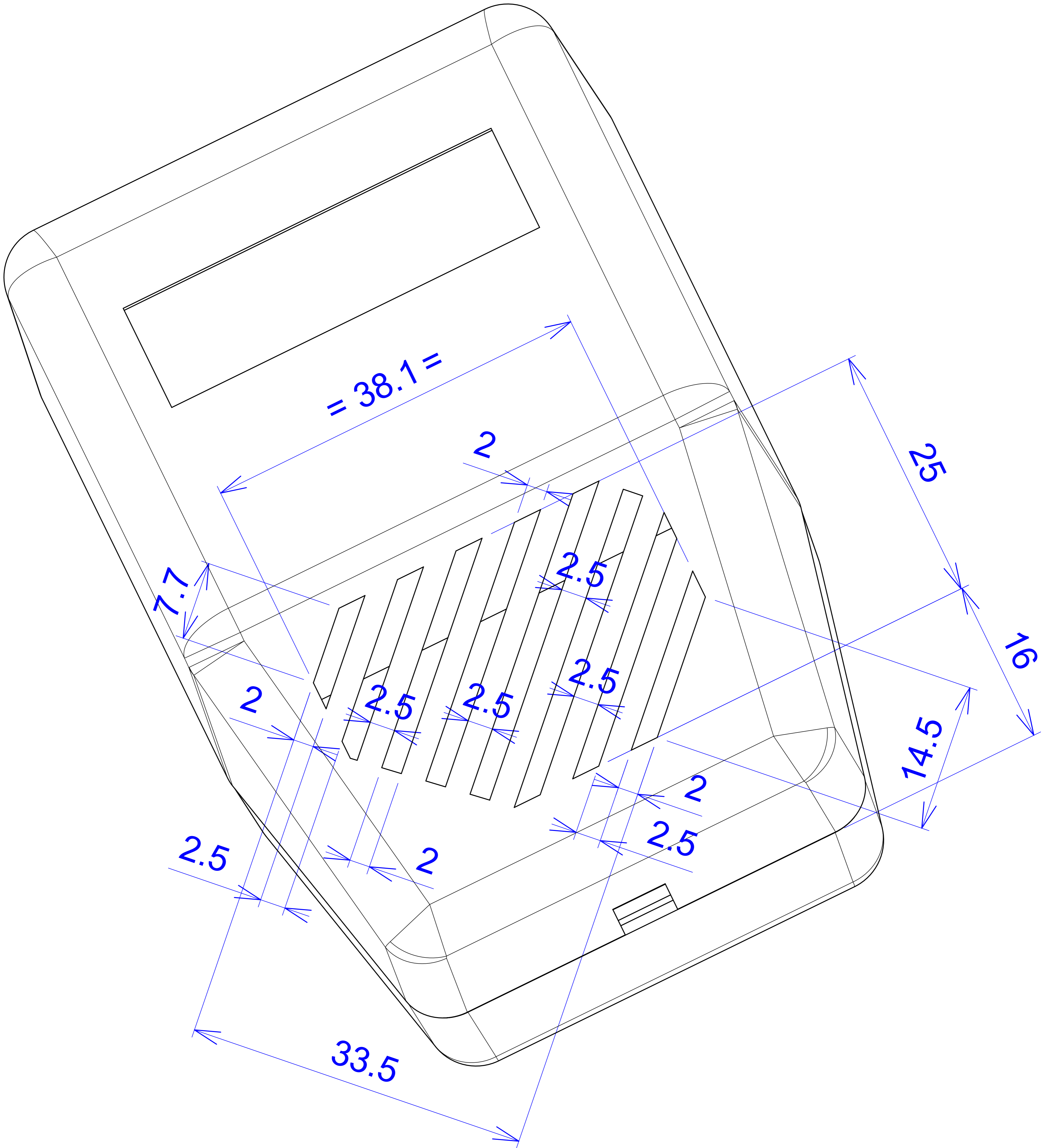
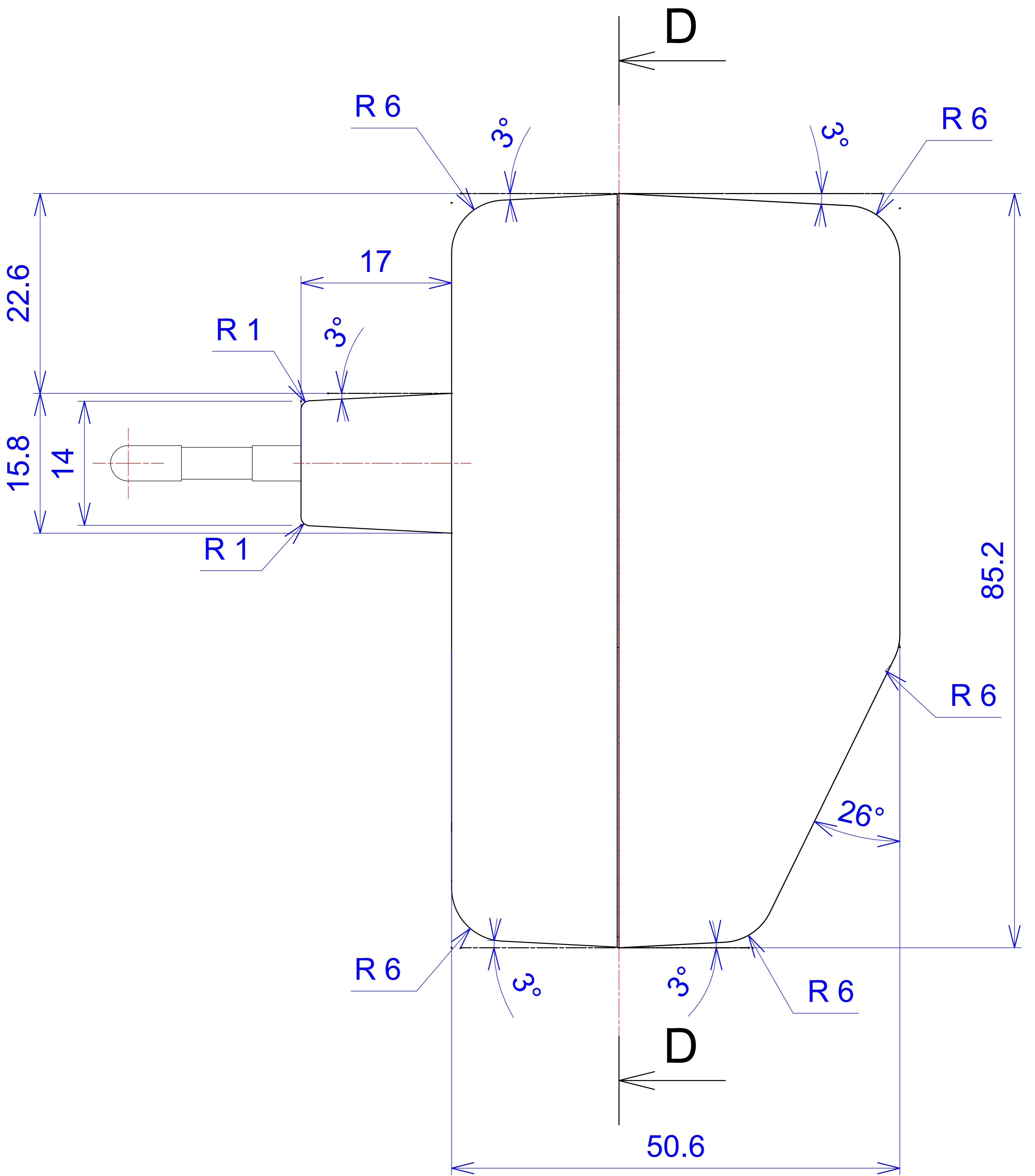
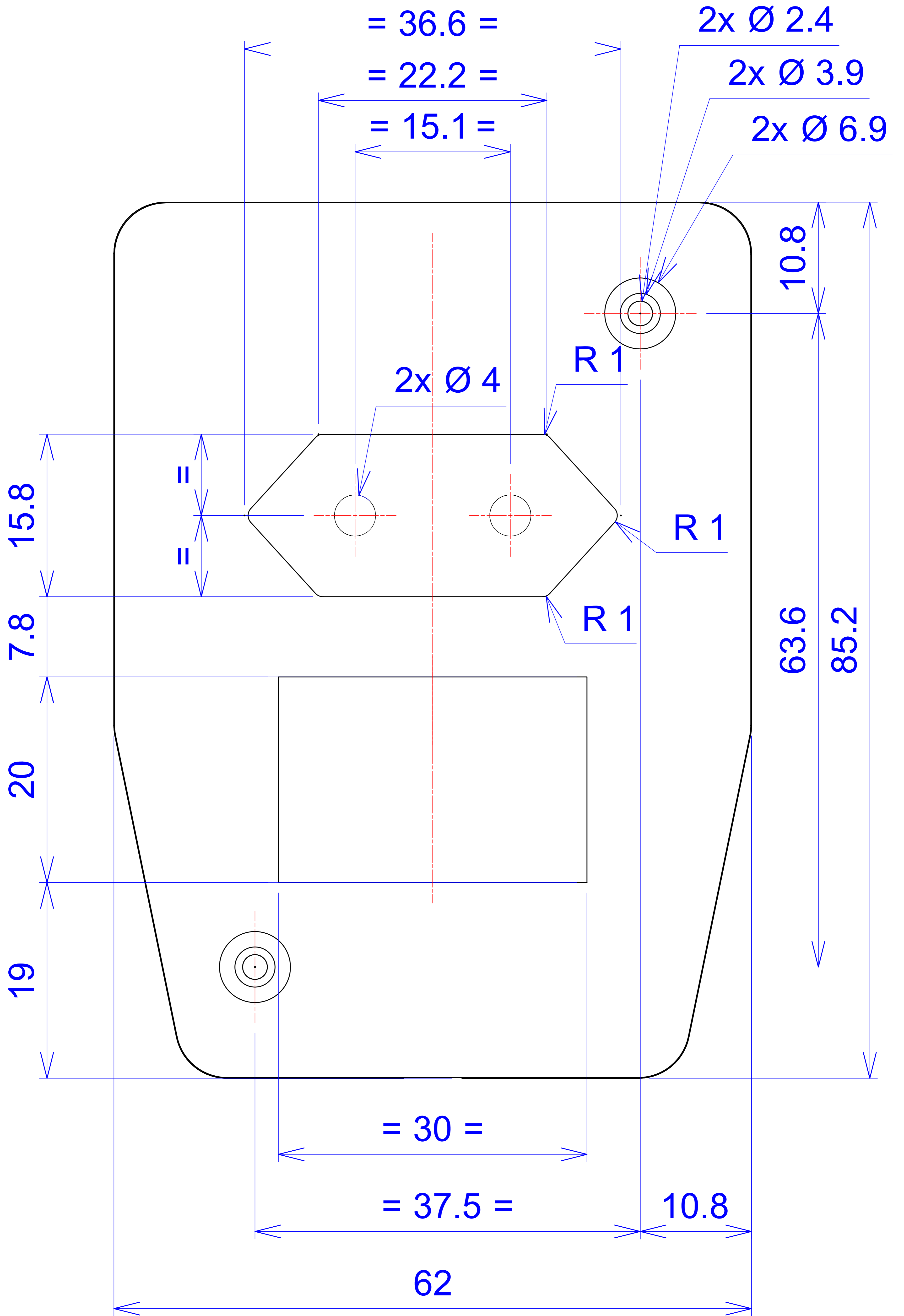


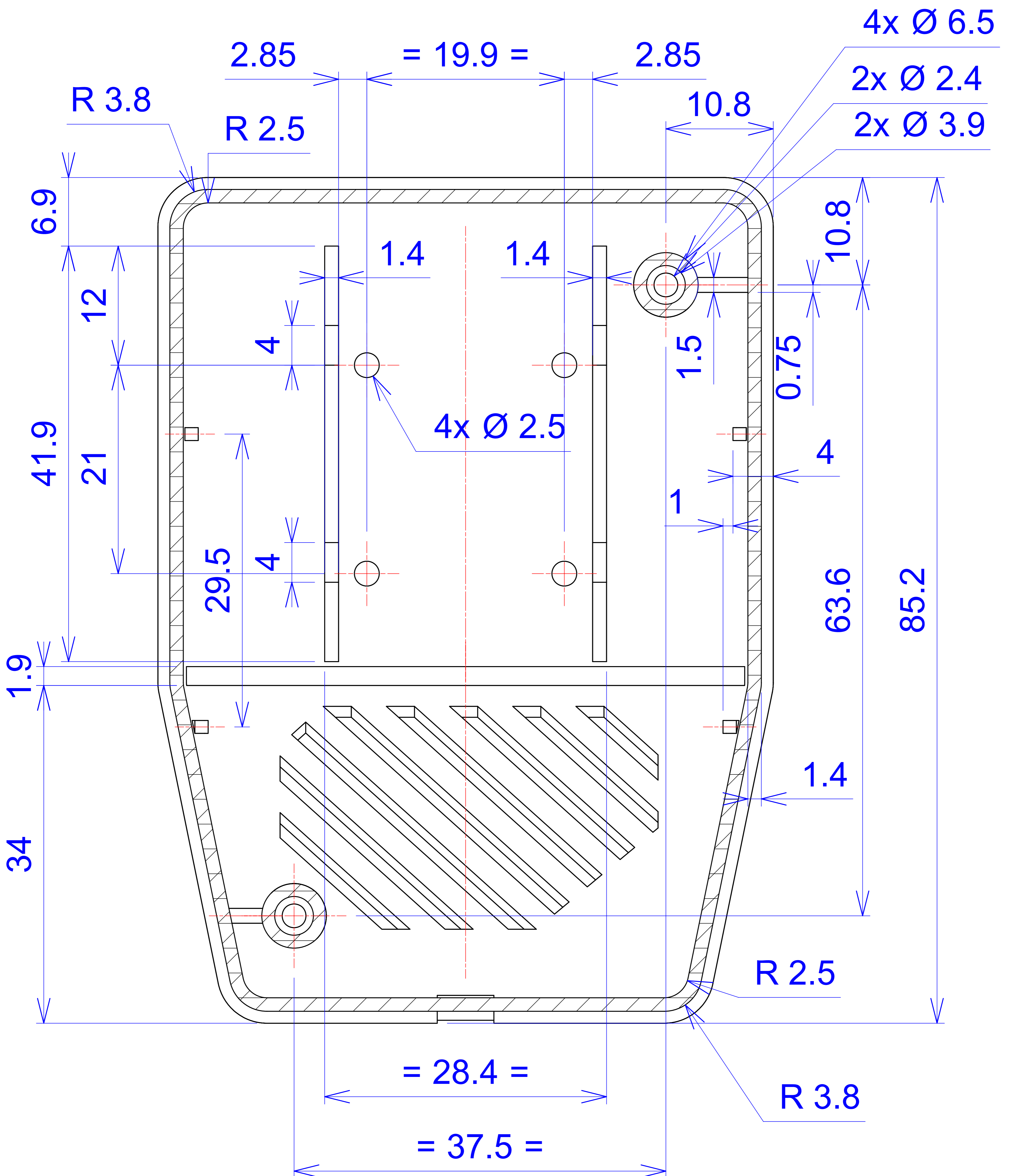
A







C - C



D - D

2x Ø 3.9

2x Ø 8.5

4x Ø 6.5

R 3.8

R 2.5

10.8

63.6

= 15.1 =

2x Ø 4

1.4

85.2

R 2.5

2.5

R 3.8

10.8

= 37.5 =

62

