

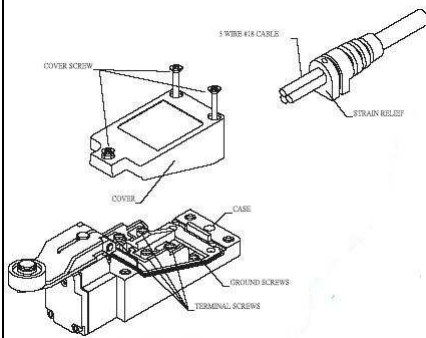
ME - CHARACTERISTICS ME-8108	
Rating	<ul style="list-style-type: none"> • 5A at 250V AC (resistive) • 0.4A at 115V DC (resistive)
Operating speed	<ul style="list-style-type: none"> • 0.5mm to 50m/sec
Operating frequency	<ul style="list-style-type: none"> • Mechanically: 120 operations/min. • Electrically: 30 operations/min.
Contact resistance	<ul style="list-style-type: none"> • 15m Ω max. (initial)
Insulation resistance	<ul style="list-style-type: none"> • 100M Ω min. (at 500 VDC)
Dielectric strength	<ul style="list-style-type: none"> • 1,000 VAC, 50/60 Hz for 1 minute between non-continuous terminals • 2,000 VAC, 50/60 Hz for 1 minute between each terminal and non-current carrying metal part and between each terminal and ground
Vibration	<ul style="list-style-type: none"> • Malfunction durability: 10 to 55Hz 1.5mm double amplitude
Shock	<ul style="list-style-type: none"> • Mechanical durability: Approx 1,000m/sec (approx 100G's) • Malfunction durability: Approx. 300m/sec (approx 30G's)
Ambient temperature	<ul style="list-style-type: none"> • Operating: -15° to +70° C
Humidity	<ul style="list-style-type: none"> • 95% RH max
Service life	<ul style="list-style-type: none"> • Mechanically: 10,000,000 operations min • Electrically: 300,000 operations min.
Degree of protection	<ul style="list-style-type: none"> • IEC 529 class IP65

FEATURES

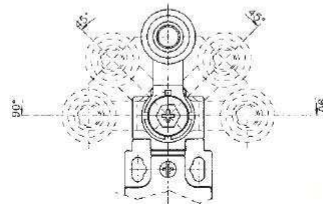
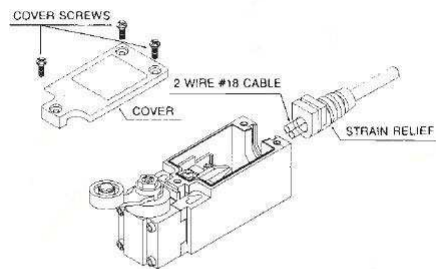
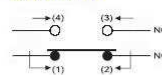
- Variety of operating characteristics
- Wide choice of heads and actuators
- Captive cover screws
- Mode of operation is field adjustable
- International grounding screw
- Dust proof, Oil-Tight, Water Resistant
- Temperature range +5° F to +160° F
- Temperature range -15° C to 70° C



Easy Wiring Diagram



CIRCUITRY



FIVE OPERATING POSITIONS AVAILABLE

Field Adjustable

Rotary motion roller lever and rod actuators are adjustable through 360°. They may be set for operation clockwise, counter-clockwise, or in both directions. Operating heads may be positioned in any of four 90°.

Easy Wiring

- Loosen cover screws and remove cover
- Remove rubber strain relief from switch cover
- slip strain relief over cable
- Fasten terminal screws tightly after inserting cables or terminals
- After wiring, insert strain relief into the groove of the switch cover
- Fasten 3 cover screws evenly. Do not over tighten
- Recommended Cable #18/2 SJT Flexible

ME-8108

OF MAX	340g
RF MIN	21g
PT MAX	20°
OT MIN	75°
DT MAX	10°
TT MIN	95°

mm
in

Adjustable length of arm
(30-70)

